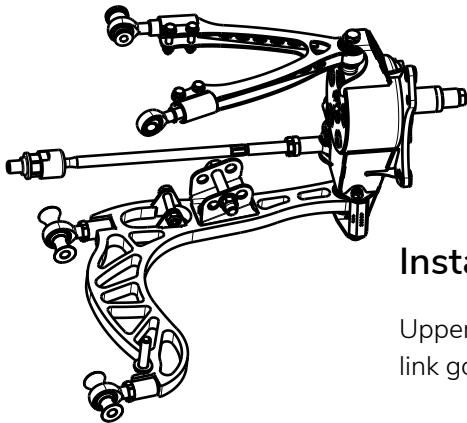


Mazda RX-7 FD

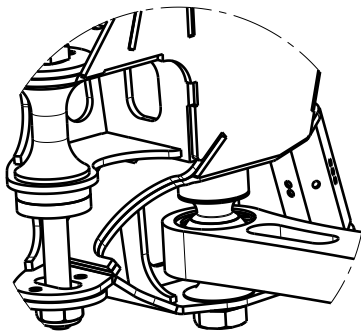
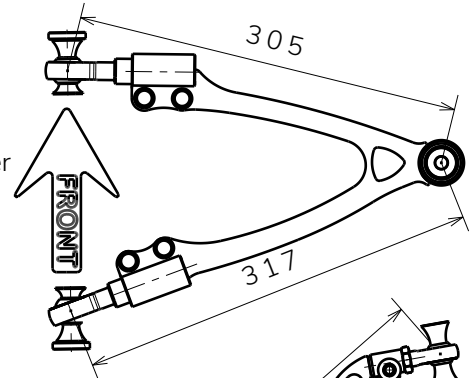
Overall view of assembled components in the right corner

All lengths (exc. tie rod) are pre set by Wisefab. No need to adjust before alignment.



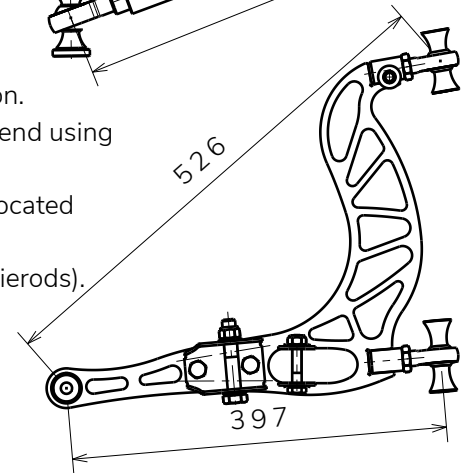
Installing the upper A arms

Upper arms are not symmetrical. The shorter link goes forward.



Installing the lower arms.

Arm must be installed to the lower position. Mount arms with stock bolts, we recommend using new ones. The lower A-arms top bushing can be relocated only if the rack is lowered. Look at the chapter below (Installing the tierods).

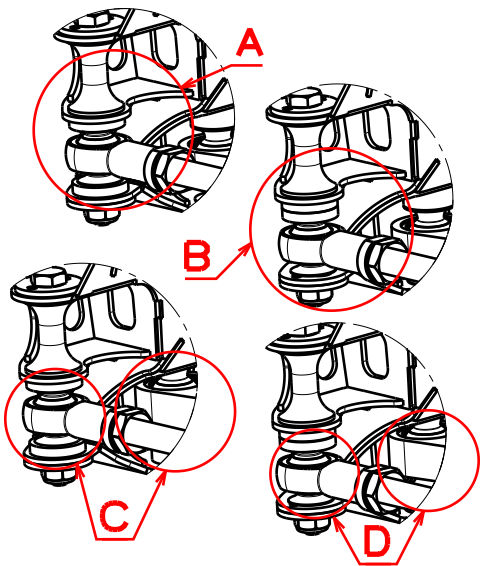


Installing the tierods

Stock steering rack location: Install the tierod to the lower position between 5mm washers (fig. A).

Lowering the rack:

- If the rack is lowered 5mm from original position then install both 5mm washers on top of the tierod (fig. B).
- If the rack is lowered 10mm, then keep the tierod in the middle and move the A arm 10mm bushing below the spherical joint (fig. C).
- If the rack is lowered 15mm, then install both 5mm washers on top of the tierod and move the A arm 10mm bushing below the spherical joint (fig. D).



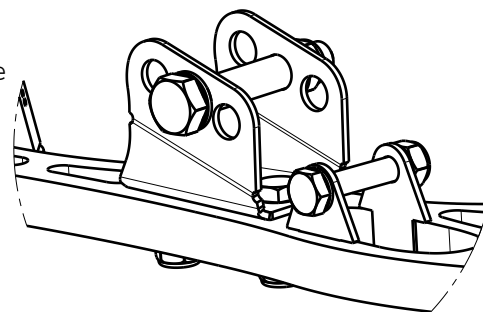
Adjusting suspension stiffness

You can adjust motion ratio (ride/roll stiffness) by changing the coilover mounting point on arm.

Moving it outwards, ride/roll will be stiffer.

Moving it inwards, ride/roll will be softer.

There is also ARB mount on the arm



If you still have some trouble installing the kit, contact us at sales@wisefab.com, or call us +372 5562 5669

How to adjust Double Adjuster

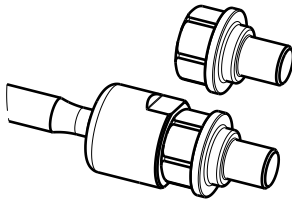
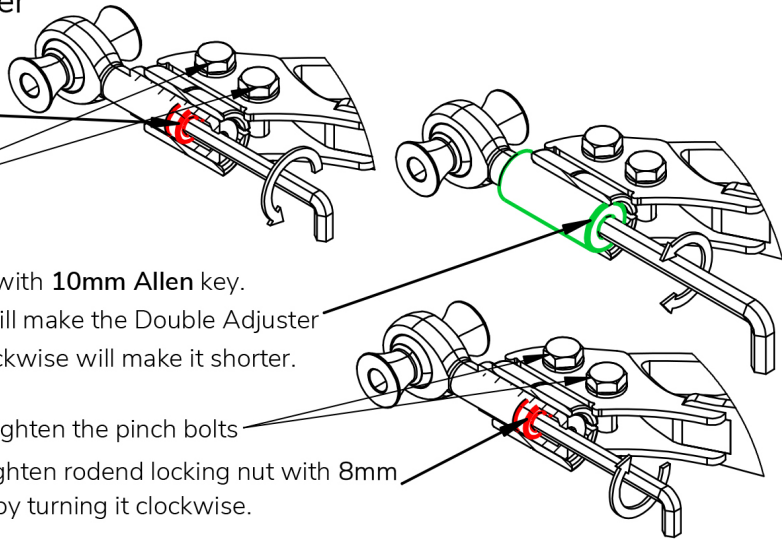
Step 1. Loosen rodend locking nut with 8mm Allen key by turning it counter clockwise.

Step 2. Slightly loosen the pinch bolts

Step 3. Turn Double Adjuster with 10mm Allen key. Turning it counter clockwise will make the Double Adjuster assembly longer, turning it clockwise will make it shorter.

Step 4. Tighten the pinch bolts

Step 5. Tighten rodend locking nut with 8mm Allen key by turning it clockwise.



Installing the rack spacer

There are 2 different rack spacers with different threads included. Choose a correct one for your steering rack. Before installing the rack spacer use thread lock on the thread between the steering rack and spacer.

Lock stopper adjustment

Wisefab lock kits are equipped with hexagonal lock stoppers, where each side has a different offset. The more dimples, the more offset and by that less usable lock. When installing, make sure that Tie rod is not binding in any way.

IMPORTANT!

If the lock stopper is set check the clearance between car body, suspension components and the wheel with tire in all extent of the suspension travel. For that the spring needs to be removed. If there is clearance issues then limit the steering lock more, limit the suspension travel or change your wheel allignment.

Recommended alignment specs

Camber: 5°

Caster: 4°

Toe total: if ackerman is 0 or negative then toe out 2 mm,
if ackerman is positive then toe is 0.

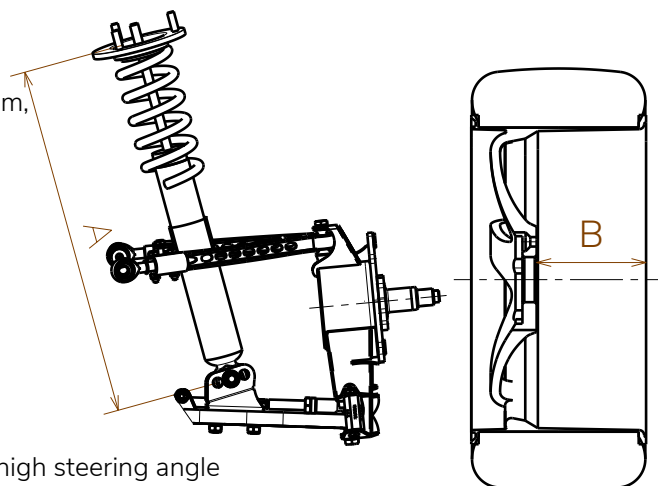
Track: 118 mm wider then OE

Strut lenght (A) max: 520 mm
ride height: 470 mm
min: 430 mm

Wheel backspace (B) max 19": 140 mm
18": 140 mm
17": 135 mm

Some 17" wheels will not fit

Wheels with max backspace may hit the cars body at high steering angle



If you still have some trouble installing the kit, contact us at sales@wisefab.com, or call us +372 5562 5669